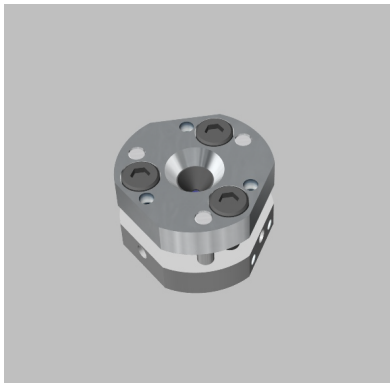




Miniature DAC cell by screws



Product Code: 03S FT1

The mini Diamond Anvil Cell is a powerful tool employed in High-Pressure research and specially for FTIR studies. They allow to attain static pressures up to several hundreds of kilobars compression of small volume samples. The DAC is produced in alloy steel. The thickness of each half of the cell body was 5 mm, with a height of 15 mm. The backing plate gave optical access through the rear of the anvil. DAC cell, also, can be mounted on a standard goniometer head for X-ray diffraction measurements. The optical access afforded by the large opening angle and transparent diamonds, and allows measurement of pressure by ruby fluorescence as well as other in situ spectroscopic measurements.

TECHNICAL DATA

PRESSURE DRIVER	Screws
CELL MATERIAL	Stainless steel alloy
TOP ANGLE	Total angle max 60° up on request
BOTTOM ANGLE	Total angle max 60° up on request
MAX PRESSURE	up 30 GP depends of culet dimension
DIMENSIONS	Diameter 23mm Height 15mm

HIGHLIGHT

- Reduced size and weight